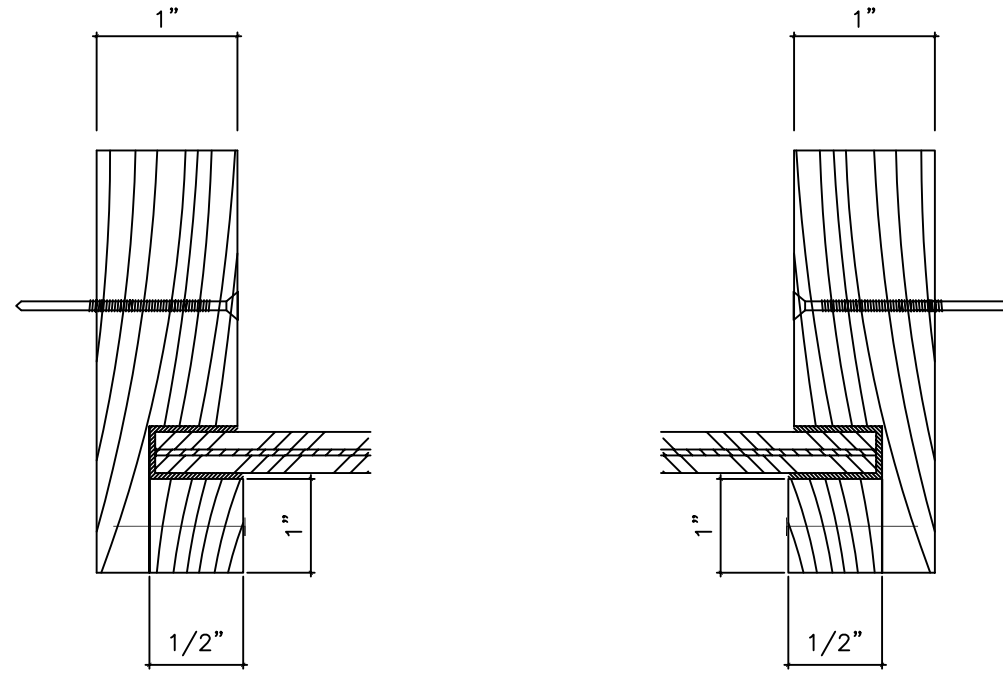


1 TYPICAL VERTICAL SECTION
 2 1/2" = 1"



2 TYPICAL HORIZONTAL SECTION
 2 1/2" = 1"

CERTIFICATION

DATE:
2/11/05

DRAWING NO:
CATALOG1

SHEET NO:
2 OF 2

LAG DESIGN
 INDUSTRIAL MILLWORK CORP
 WEST H/WAY 36 SENECA, KS 66538
 (800)462-3667

DRAWING TITLE
DIRECT SET FIXED WINDOW

PROJECT:

NO.	REVISION DESCRIPTION	BY	DATE
1			
2			
3			
4			